

www.hazalguvenlik.net



Hydraulic Arm Barrier (2000 - 4000 mm)

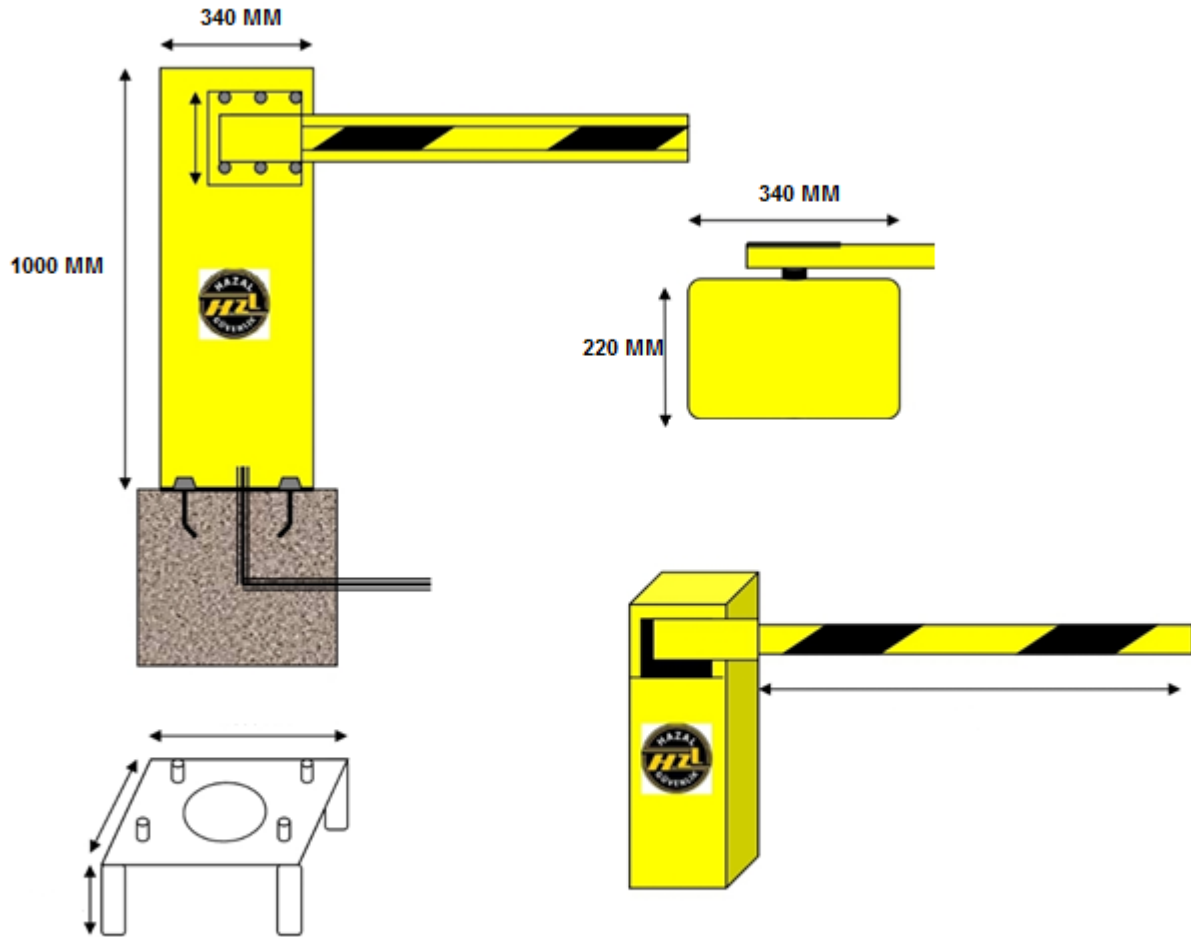
Data Sheet

www.hazalguvenlik.net

Electromechanic Arm Barrier (3000 mm)



DRIVE	Electromechanic
BARRIER DIMENSIONS	1000X340X220
CLOR	Gray color RAL 7015
PROTECTION COATING	ELECTROSTATIC OVEN PAINT
BEARING	ALUMİNUM
POWER SUPPLY	230 W- 24 V / 50/60 Hz.
ARM DIMENSIONS	2000 – 4000 MM (optional) 4 – 6 sn ALUMİNUM
CONSUMPTION	600 W
PROTECTION CLASS	IP 54
CONTROL PANEL	Electronic Control Card
CONTROL	Remote Control (option)
SAFETY SENSOR	Photocell (optional)
OPERATION TEMPERATURES	+ 65 °C / - 20 °C
WORKING FREQUENCY	Heavy Duty With 8000 / Day Move Movement
MANUAL OPERATION	Manual Hand Switch on-off
OPERATION	Remote Control , RFID , Camera , Proximty Card , Button (optional)
ARMREST	1 MT STEEL FORK LEG (optional)
CERTIFICATION	CE , ISO 9001 : 2008
WARRANTY	1 Years



www.hazalguvenlik.net



Doğuş Mah Ballıbaba Sok No : 67/3 K.Esat / Çankaya / ANKARA

Tif : + 90 312 478 2028 – + 90 312 482 0484

www.hazalguvenlik.net - info@hazalguvenlik.net

www.hazalguvenlik.net